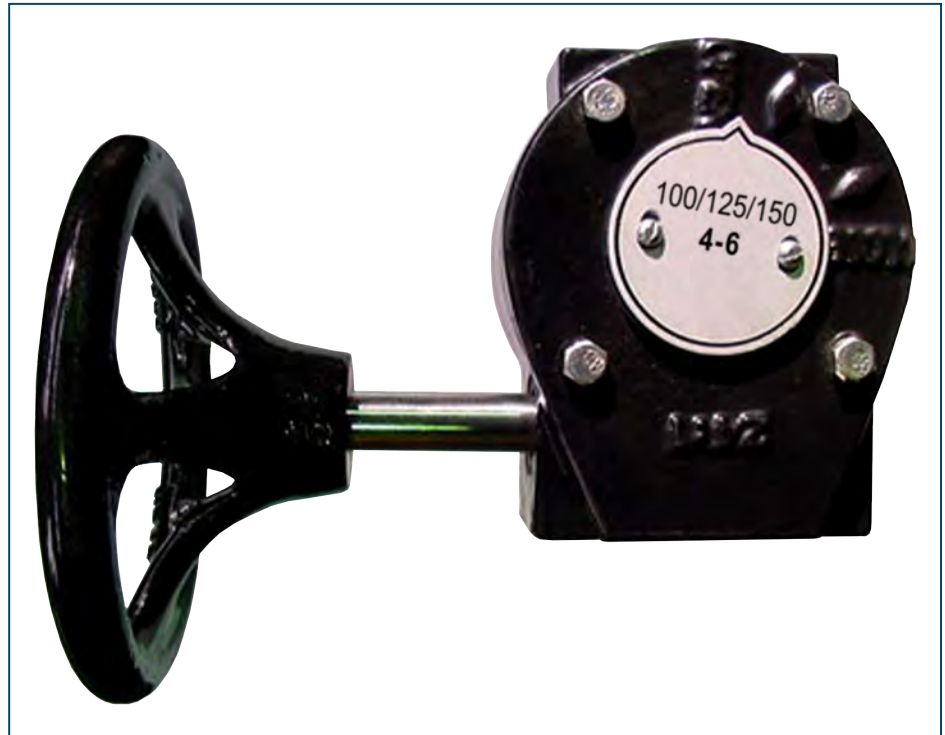


## QUARTER-TURN WORM GEAR OPERATOR

The G731 worm gear operator is designed for use on FNW series 71X and 73X butterfly valves. The ISO pads match the FNW valves per size for direct mounting. The ISO standard configuration also allows mounting the G731 to valves of other manufacturers.

**Features:**

- ISO 5211 Mounting Pad Configuration
- Adjustable Open & Close Stops
- Ductile Iron Gear
- Cast Iron Case
- Nickel Plated Shaft



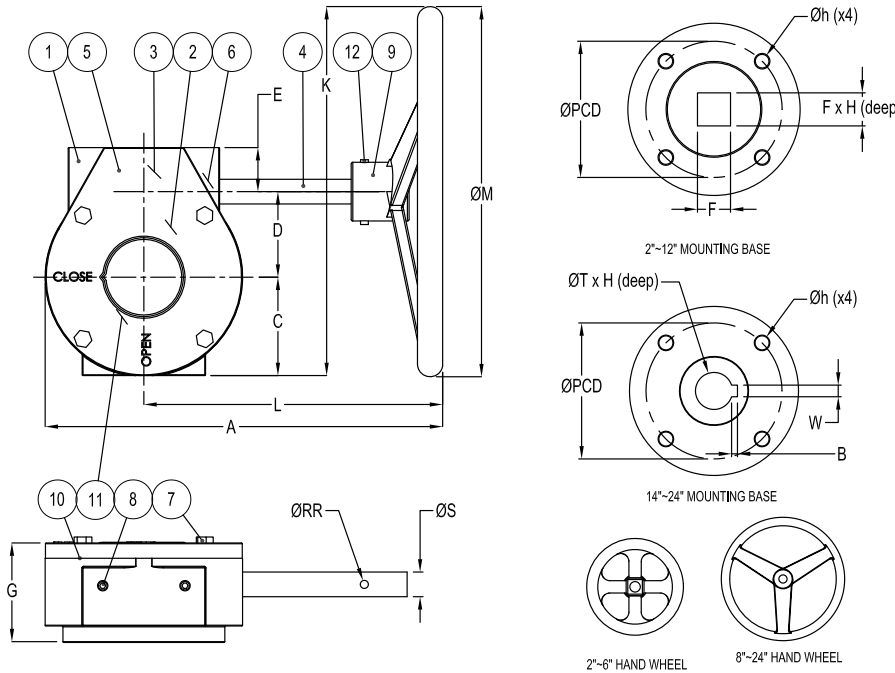
**Gear Data**

Size	ISO Mount	Gear Ratio	Torque (in-lbs) (Maximum Output)	Wt (lbs)
2	F07	24:1	1,327	9.9
2-1/2	F07	24:1	1,327	9.9
3	F07	24:1	1,327	9.9
4	F07	24:1	1,327	9.5
5	F07	24:1	1,327	9.5
6	F07	24:1	1,327	9.5
8	F07	30:1	4,425	18.4
10	F10	30:1	4,425	18.2
12	F10	50:1	10,620	27
14	F10	50:1	10,620	24
16	F14	50:1	22,126	23
18	F14	50:1	22,126	30
20	F16	50:1	70,806	101
24	F16	50:1	70,806	101

**Figure Number Matrix**

FNW G731 Size	
SIZE CODE	
2~3= KLM	14 = 14
4~6 = PU	16 = 16
8 = X	18 = 18
10 = 10	20 = 20
12 = 12	24 = 24

## QUARTER-TURN WORM GEAR OPERATOR



### Standard Materials

Ref. No.	Description	Material	Qty	Remarks
1	Case	ASTM A126 Cl. B	1	
2	Gear	ASTM A536 65-45-12	1	Not Shown
3	Worm	Steel	1	Not Shown
4	Shaft	Steel	1	Nickel Plated
5	Cover	ASTM A126 Cl. B	1	
6	Shaft Pin	Steel	1	Not Shown
7	Cover Screw	Steel	4	
8	Stop Screw	Steel	4	2 Per Stop
9	Hand Wheel	ASTM A126 Cl. B	1	
10	Cover Gasket	Fiber Paper	1	
11	Gear Top O-ring	Rubber	1	Not Shown
12	Hand Wheel Pin	Steel	1	

### Dimensions (inches)

Valve Size	Ratio	A	L	G	C	D	E	K	ØM	Øh	ØPCD	H (max)	ØR	ØS	F	ØT	B	W
2	24:1	8.35	6.22	2.83	2.13	1.77	1.10	6.85	5.79	M8	2.76	2.17	0.20	0.63	0.43			
2-1/2	24:1	8.35	6.22	2.83	2.13	1.77	1.10	6.85	5.79	M8	2.76	2.20	0.20	0.63	0.43			
3	24:1	8.35	6.22	2.83	2.13	1.77	1.10	6.85	5.79	M8	2.76	2.24	0.20	0.63	0.43			
4	24:1	8.35	6.22	2.83	2.13	1.77	1.10	6.85	5.79	M8	2.76	2.28	0.20	0.63	0.55			
5	24:1	8.35	6.22	2.83	2.13	1.77	1.10	6.85	5.79	M8	2.76	2.32	0.20	0.63	0.55			
6	24:1	8.35	6.22	2.83	2.13	1.77	1.10	6.85	5.79	M8	2.76	2.36	0.25	0.63	0.55			
8	30:1	11.00	8.07	3.31	2.99	2.60	1.34	11.50	11.81	M8	2.76	2.91	0.25	0.75	0.67			
10	30:1	11.00	8.07	3.31	2.99	2.60	1.34	11.50	11.81	M10	4.02	2.91	0.25	0.75	0.87			
12	50:1	11.59	8.46	3.31	2.99	2.60	1.34	11.50	11.81	M10	4.02	3.07	0.25	0.75	0.87			
14	50:1	11.59	8.46	3.49	3.09	3.05	1.54	12.15	11.81	M10	4.02	3.07	0.25	0.75		1.10	0.20	0.39
16	50:1	12.30	8.86	3.49	3.09	3.05	1.54	12.15	11.81	M16	5.51	3.15	0.25	0.75		1.26	0.20	0.39
18	50:1	12.30	8.86	3.49	3.09	3.05	1.54	12.15	15.55	M16	5.51	3.15	0.25	0.75		1.50	0.20	0.47
20	80:1	15.14	10.12	4.33	5.12	5.31	1.57	18.31	15.55	M20	6.50	3.54	0.33	0.98		1.77	0.20	0.47
24	80:1	15.14	10.12	4.33	5.12	5.31	1.57	18.31	15.55	M20	6.50	3.74	0.33	0.98		2.17	0.20	0.55

DOC: FNW73106 Ver. 2/2012

© 2012 - FNW. All rights reserved.

The FNW logo is a trademark of Ferguson Enterprises, Inc., PL Sourcing, PO Box 2778, Newport News, VA 23609

The contents of this publication are presented for information purposes only, and while effort has been made to ensure their accuracy, they are not to be construed as warranties or guarantees, expressed or implied, regarding the products or services described herein or their use or applicability. All sales are governed by our terms and conditions, which are available on request. We reserve the right to modify or improve the designs or specifications of our products at any time without notice. Always verify that you have the most recent product specifications or other documentation prior to the installation of these products.