

MARK 4 QUARTER-TURN POSITION INDICATION SWITCH

Features:

The Mark 4 Rotary Valve Position Indicators are produced by Proximity with up to six individual mechanical or proximity switches (standard with 2 mechanical switches). The Mark 4 is also available with potentiometer or transmitter feedback, or AS-interface (AS-i).

- UL and CSA rated
- Bushing & o-ring sealed switch compartment
- Set screw cams for infinite adjustment
- Flexible design allows multiple mechanical or proximity switch and transmitter option(s)
- Adjustable stainless steel visual indicator with scale is standard for quarter turn direct drive applications
- Housing options include 1(standard), 2 or 3 conduit entrances, junction package, terminal strip and solenoid valve(s)
- High temperature to 600°F for limited duration consult factory for available options

Applications:

The Mark 4 position indicators are designed for maximum reliability in explosion-proof environments. Applications include:

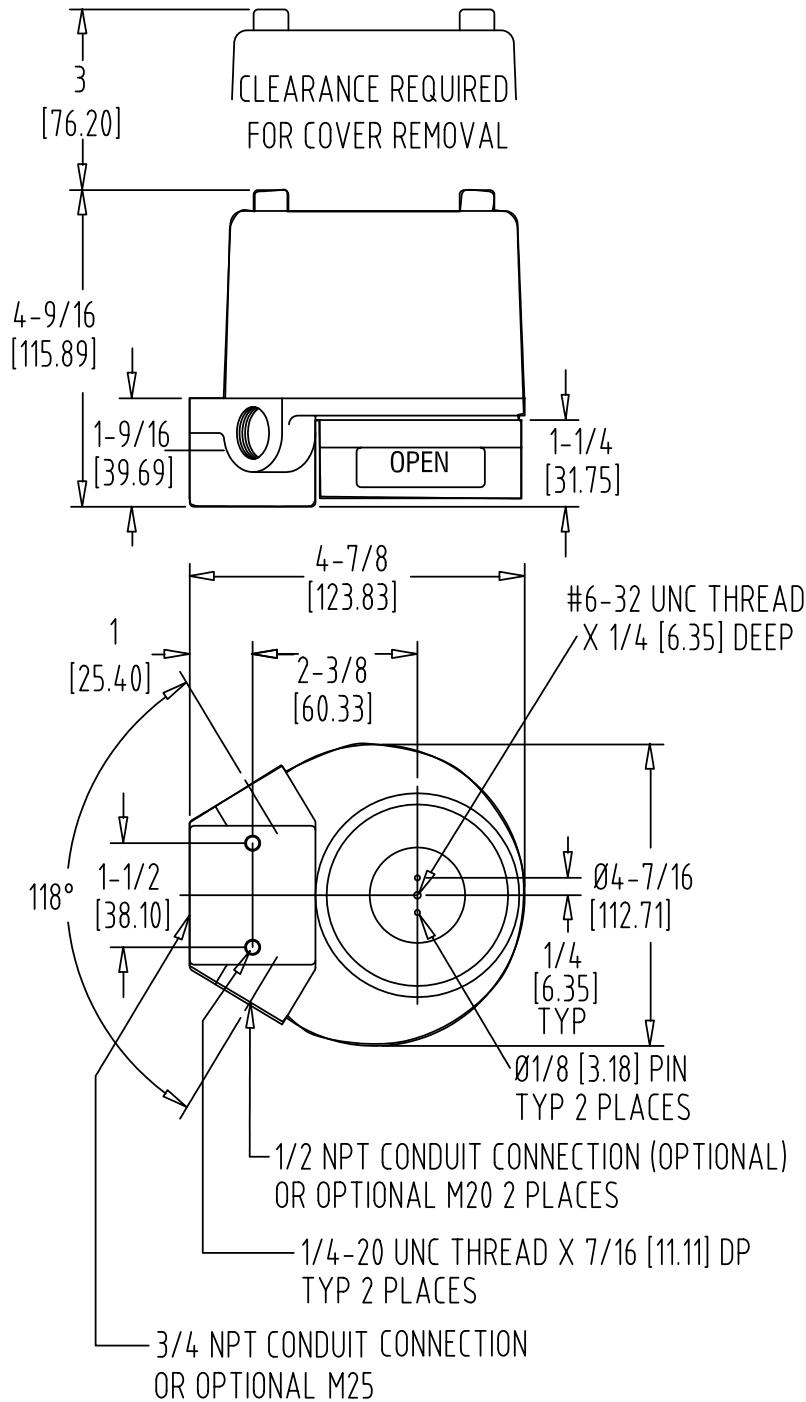
- Rotary and Linear Valves and Actuators
- Manual Valves
- Gear Operators
- Positioners



Technical Specifications

Min. Rotation Travel – Switches Only	5°
Max. Rotation Travel – Switches Only	360°
Operational Life	10,000,000 Cycles Minimum
Temperature Limits (Standard)	-58°F to 176°F (-50°C to 80°C)
Mounting Orientation	Not Position Sensitive
Electrical Switch Ratings	
SPDT Mech. Snap Action (Standard)	15A @ 125/250/480 VAC, 1/8 hp @ 125 VAC, 1/4 hp @ 250 VAC, 1/2A @ 125 VDC, 1/4A @ 250 VDC
DPDT Snap (Optional)	10A @ 125/250 VAC, 0.3A @ 125 VDC, 0.15A @ 250 VDC
SPDT Mech. Gold Contact (Optional)	1A @ 125 VAC
SPDT Hermetically Sealed Snap (Optional)	1A @ 125 VAC
SPDT Hermetically Sealed Reed Switch (Optional)	2A @ 125 VAC, 2A @ 30 VDC
NAMUR Inductive Sensor (Optional)	15mA @ 5-25 VDC
Inductive Sensor (Optional)	10-30 VDC, Load: 0.1A
SPDT High Temp Snap (Optional)	350°F (176°C) for 600 hours, 15.1A @ 125/250/277 VAC
SPDT Mech. Snap Action (Optional)	10A @ 125/250 VAC, 1/3 hp @ 125/250 VAC
Enclosure Material	Aluminum (Epoxy Coated)
Conduit Entrance	One 3/4"-14 NPT (Options Available)
Enclosure Rating (Standard)	NEMA 1, 2, 3, 3R, 4, 4X, 6, 7, 9, 12, 13
Explosion-proof (Standard)	Class I Grp C, D; Class II, Groups E, F&G
Maximum Altitude	6560 Ft. (2000m)
Agency Approvals	CSA, UL
Weight	4 to 6 lb

MARK 4 QUARTER-TURN POSITION INDICATION SWITCH



DOC: FNWM405 Ver. 3/2012

© 2012 - FNW. All rights reserved.

The FNW logo is a trademark of Ferguson Enterprises, Inc., PL Sourcing, PO Box 2778, Newport News, VA 23609

The contents of this publication are presented for information purposes only, and while effort has been made to ensure their accuracy, they are not to be construed as warranties or guarantees, expressed or implied, regarding the products or services described herein or their use or applicability. All sales are governed by our terms and conditions, which are available on request. We reserve the right to modify or improve the designs or specifications of our products at any time without notice. Always verify that you have the most recent product specifications or other documentation prior to the installation of these products.