

QUICK-VIEW® QUARTER-TURN POSITION INDICATION SWITCH

Features:

The QUICK-VIEW® (QV Series) Rotary Valve Position Indicators are produced by Proximity with up to four individual mechanical or proximity switches. The QUICK-VIEW® is also available with several switch and enclosure ratings as well as optional backlighting.

- UL and CSA rated
- Low cost position indication
- Extremely compact design
- Easily interchangeable with key competition
- Integral flame retardant and corrosion protection
- Optional backlighting available for maximum visibility
- Optional hazardous location rating

Applications:

The QV Series position indicators are designed for maximum reliability in general purpose and corrosive environments. Applications include:

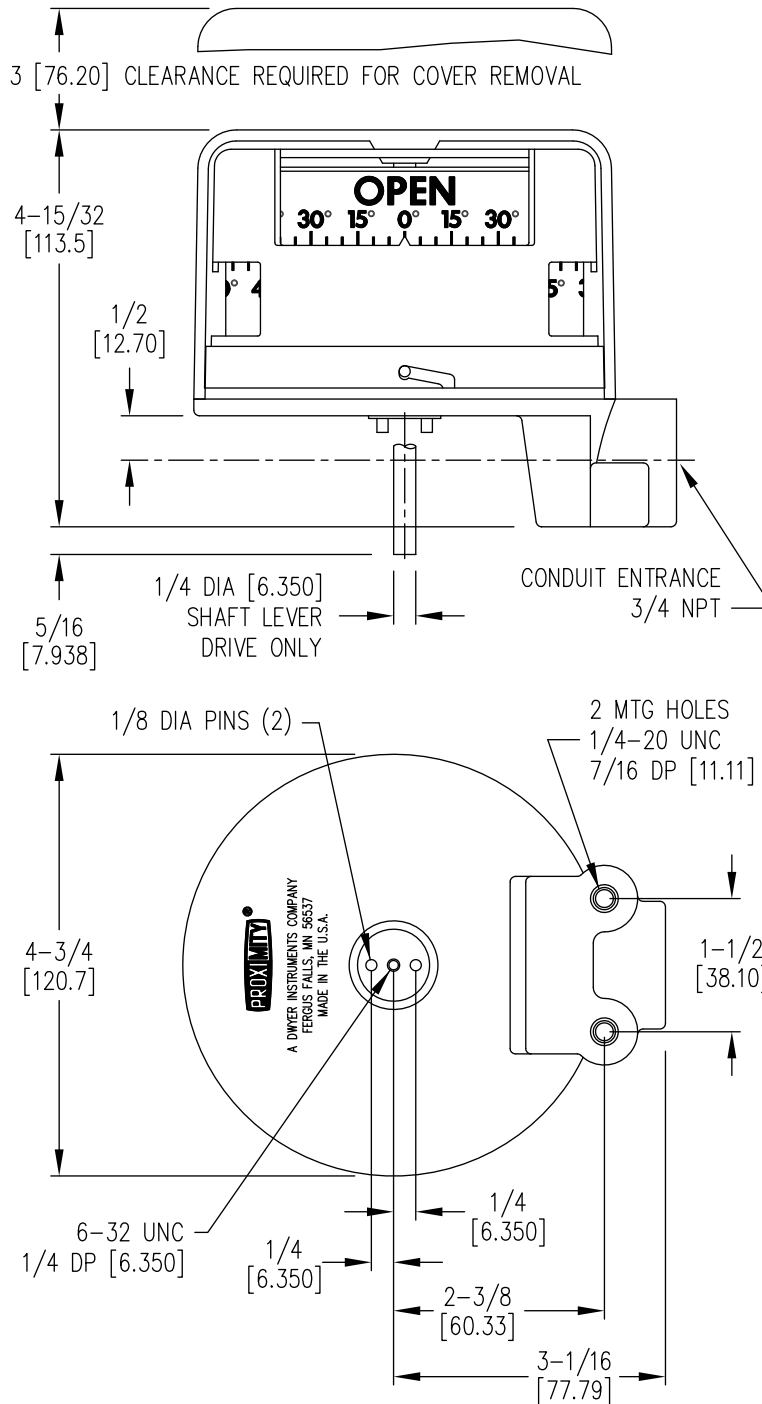
- Rotary and Linear Valves and Actuators
- Manual Valves
- Gear Operators
- Positioners



Technical Specifications

Min. Rotation Travel – Switches Only	5°
Max. Rotation Travel – Switches Only	360°
Operational Life	10,000,000 Cycles Minimum
Temperature Limits	-40°F to 180°F (-40°C to 82°C)
Switch Type	SPDT
Mounting Orientation	Not Position Sensitive
Electrical SPDT Switch Ratings	
Mech. Snap Action (Standard)	10A @ 125/250 VAC; 0.5A 125 VDC; 10A @ 24 VDC
Mech. Gold Contact (Optional)	1A @ 125 VAC; 1A @ 24 VDC
Prox. Reed Switch (Optional)	2A @ 125 VAC; 2A @ 30 VDC
NAMUR Sensor (Optional)	5-25 VDC
Inductive Sensor (Optional)	10-30 VDC
Mech. Snap Action (Optional)	10A @ 125/250 VAC
Lighting Supply Voltage (Optional)	24-28 VDC
Lighting Life (Optional)	16,000 Hours
Enclosure Material	Polycarbonate Housing and Conduit
Conduit Entrance	One 3/4"-14 NPT
Enclosure Rating (Standard)	NEMA 4, 4X
Explosion-proof (Optional)	Class I Grp A, B, C, D; Class II, Groups F&G; Div 2
Maximum Altitude	6560 Ft. (2000m)
Agency Approvals	CSA, UL, cUL
Weight	1.0 lb

QUICK-VIEW® QUARTER-TURN POSITION INDICATION SWITCH



DOC: FNWQV05 Ver. 3/2012

© 2012 - FNW. All rights reserved.

The FNW logo is a trademark of Ferguson Enterprises, Inc., PL Sourcing, PO Box 2778, Newport News, VA 23609

The contents of this publication are presented for information purposes only, and while effort has been made to ensure their accuracy, they are not to be construed as warranties or guarantees, expressed or implied, regarding the products or services described herein or their use or applicability. All sales are governed by our terms and conditions, which are available on request. We reserve the right to modify or improve the designs or specifications of our products at any time without notice. Always verify that you have the most recent product specifications or other documentation prior to the installation of these products.